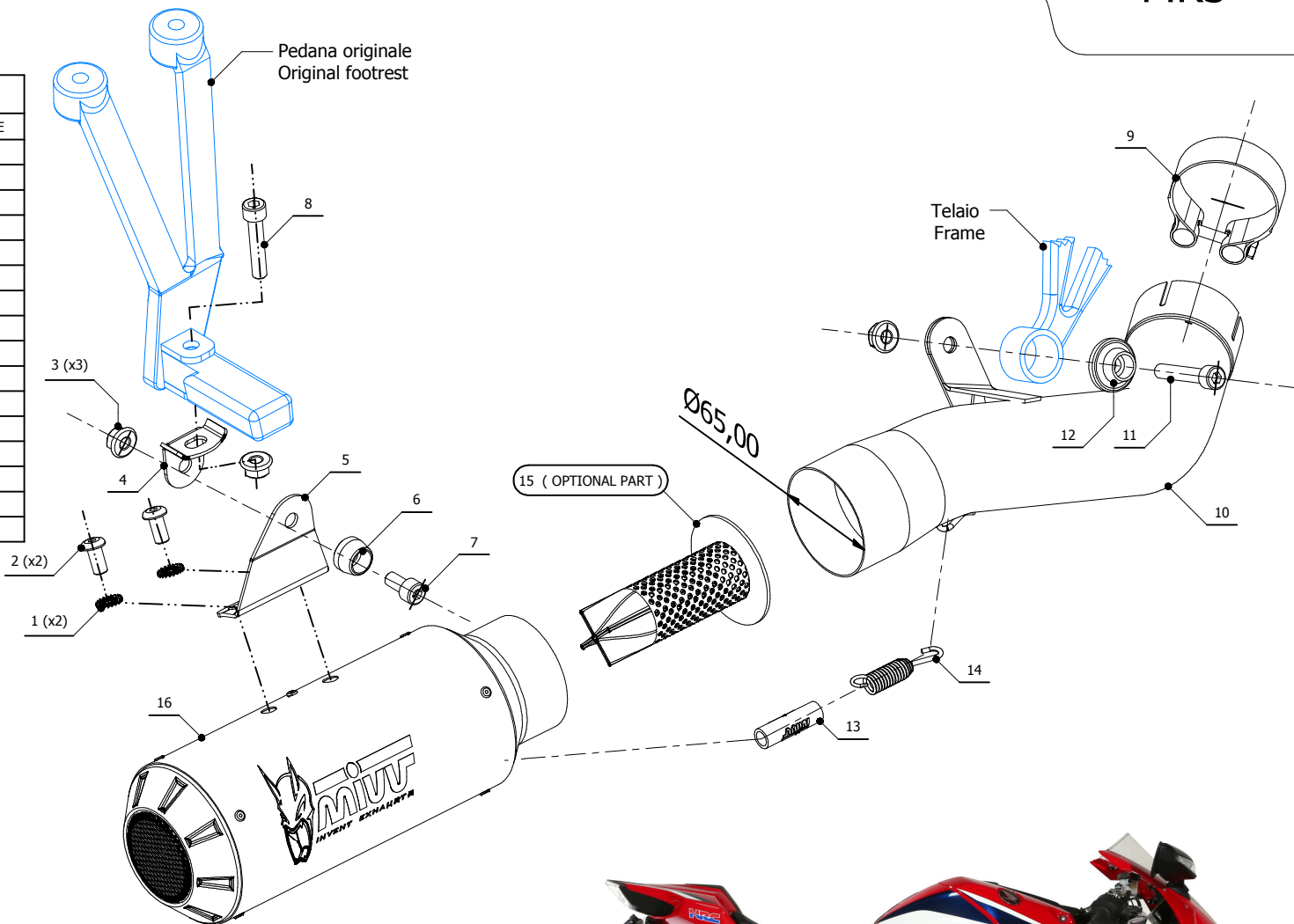


ELENCO PARTI / PARTS LIST

#	QTÀ / QTY	DESCRIZIONE / DESCRIPTION	CODICE / CODE
1	2	Rondella di sicurezza / Safety washer	50.73.604.1
2	2	Vite M8 x 16 / Screw M8 x 16	50.73.098.1
3	3	Dado M8 flangiato / Flanged nut M8	50.73.393.1
4	1	Staffa / Bracket	50.SS.1132.0
5	1	Staffa / Bracket	50.SS.1137.0
6	1	Rondella in alluminio / Aluminium washer	50.73.857.1
7	1	Vite M8x16 / Screw M8x16	50.73.575.1
8	1	Vite M8x40 / Screw M8x40	50.73.075.1
9	1	Fascetta Ø 60/63 mm / Pipe clamp Ø 60/63 mm	50.FA.010.1
10	1	Tubo di raccordo / Link pipe	9773H070S2
11	1	Vite M8x45 / Screw M8x45	50.73.602.1
12	1	Rondella in alluminio nera / Black aluminium washer	50.73.221.1
13	1	Gommino per molla / Rubber for spring	50.73.210.1
14	1	Molla corta / Short Spring	50.73.123.1
15	1	Db Killer forato / Drilled DB killer	50.DK.126.0
16	1	Silenziatore / Muffler	MK3 Øi 66



APPLICAZIONI / APPLICATIONS

CODICE / CODE	SILENZIATORE / MUFFLER	LOGO	TUBO / PIPE
H.070.SM3B	STEEL BLACK	LASER	
H.070.SM3C	CARBONIO / CARBON FIBER	ALUMINIUM LABEL	INOX / ST. STEEL
H.070.SM3X	INOX / ST. STEEL	LASER	

