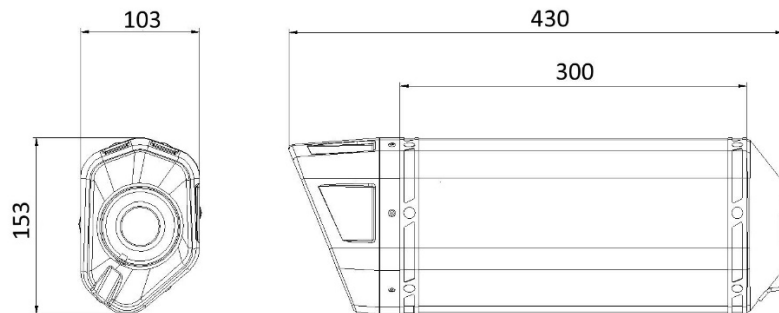


# Technical specifications

## SR-1 BLACK TITANIUM

### Characteristics

Body material	Black titanium
Front end cap material	Stainless steel
Rear end cap material	Carbon
Material of the inside of the silencer	Stainless steel
Link pipe material	Stainless steel
Type of attachment to the frame	Stainless steel screwed bracket
Total body length (mm)	300 mm
Internal diameter of the silencer coupling (mm)	Ø 60
Presence of dB-Killer	Yes
Silencer weight	1.85 kg



**MIVV S.p.A.**  
 Zona Industriale  
 64027 Sant'Omero (TE)  
 Italy

**CUSTOMER SERVICE**  
 ☎ Italy: 0861 8120237  
 Worldwide: +39 0861 8120239  
 ✉ customerservice@mivv.it

**FOLLOW US:**  
 📘 Facebook  
 📷 Instagram  
 📺 Youtube