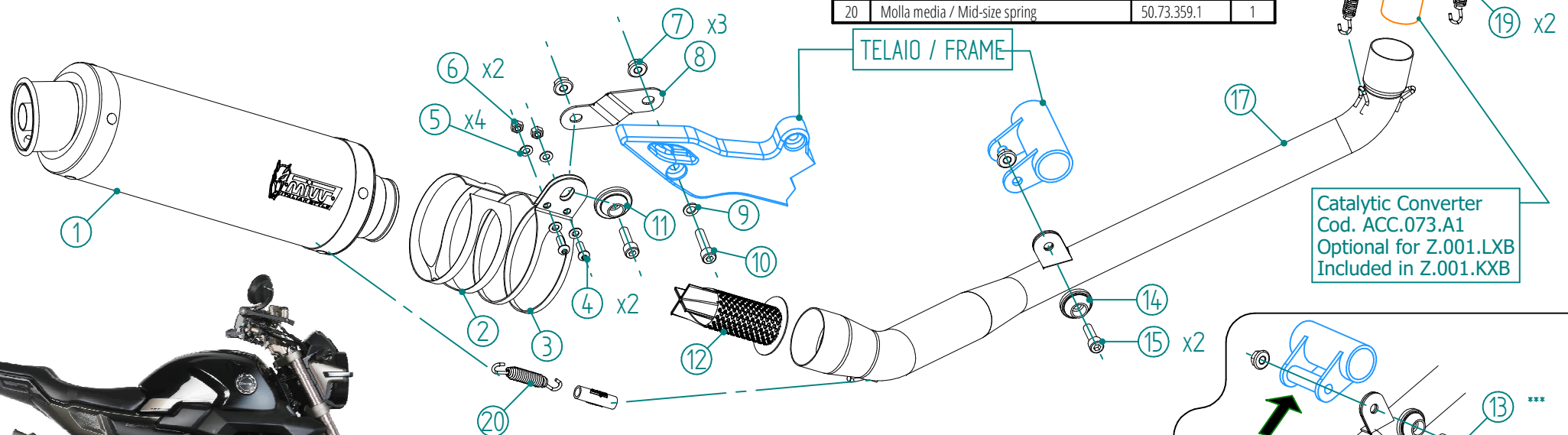




#	DESCRIPTION	PART NUMBER	QTY
1	Silenziatore / Muffler - dB killer 50.DK.021.0	GP	1
2	Protezione in gomma / Rubber protection	50.73.077.1	1
3	Staffa / Bracket	50.55.241.1	1
4	Vite M6x16 / Screw M6x16	50.73.175.1	2
5	Rondella M6 / Washer M6	50.72.027.1	4
6	Dado M6 / Nut M6	50.73.146.1	2
7	Dado M8 flangiato / Flanged nut M8	50.73.393.1	3
8	Staffa / Bracket	50.55.1386.0	1
9	Rondella M8 / Washer M8	50.73.270.1	1
10	Vite M8x30 / Screw M8x30	50.73.219.1	1
11	Rondella in alluminio / Aluminium washer	50.73.063.1	1
12	dB Killer	50.DK.082.0	1
13	Vite M8x50 / Screw M8x50 (***)	50.73.074.1	1
14	Rondella in alluminio / Aluminium washer	50.73.291.1	1
15	Vite M8x25 / Screw M8x25	50.73.064.1	2
16	Tubo collettore / Down pipe	9773Z001S2SA	1
17	Tubo di raccordo / Link pipe	9773Z001S2SB	1
18	Gommino per molla / Rubber pipe	50.73.210.1	3
19	Molla lunga / Long spring	50.71.080.1	2
20	Molla media / Mid-size spring	50.73.359.1	1

Parti originali  
Original parts

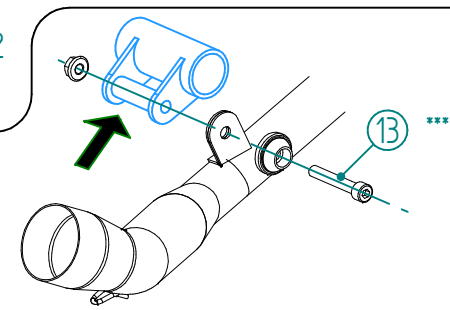


TELAIO / FRAME

Catalytic Converter  
Cod. ACC.073.A1  
Optional for Z.001.LXB  
Included in Z.001.KXB



APPLICAZIONI / APPLICATIONS				
CODICE / CODE	SILENZIATORE / MUFFLER	TUBO / PIPE	FASCETTA / CLAMP	NOTE
Z.001.LXB	STEEL BLACK	INOX / ST. STEEL	INOX / ST. STEEL	CATALYTIC CONVERTER NOT INCLUDED
Z.001.KXB				CATALYTIC CONVERTER INCLUDED



\*\*\* Vite per versioni con boccola  
\*\*\* Screw for bush version