



MODEL KTM DUKE 125 2011-2016
KTM DUKE 200 2012-2014

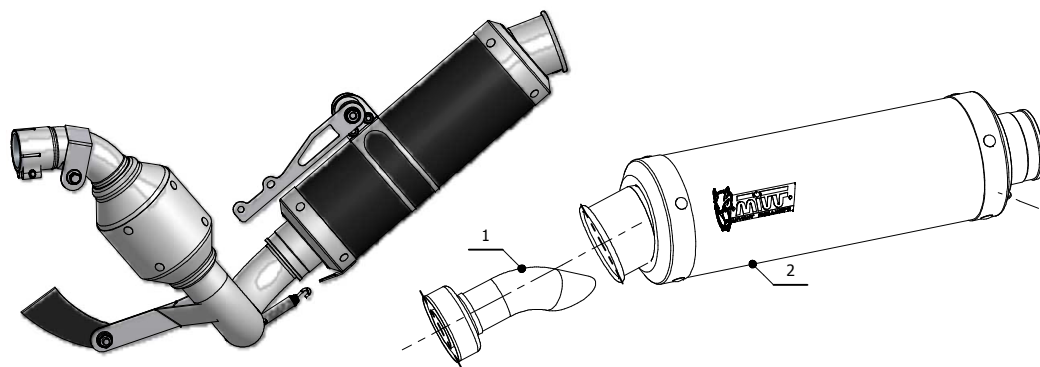
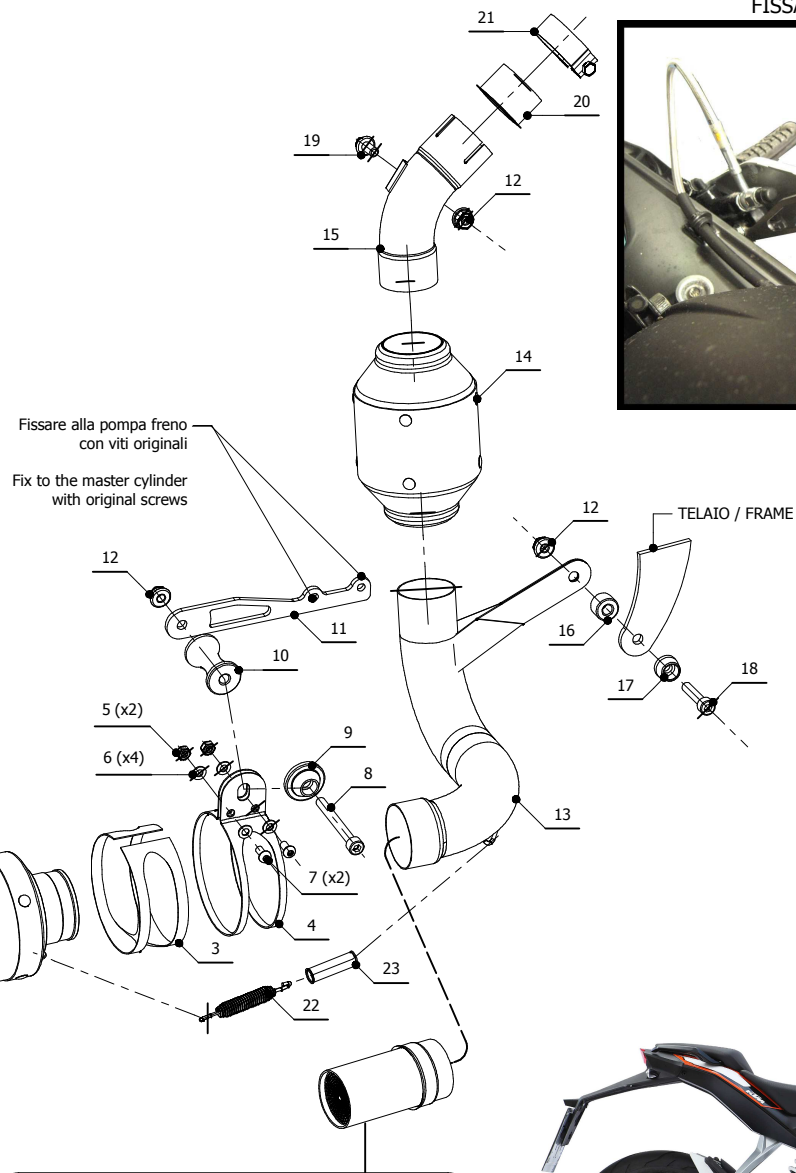
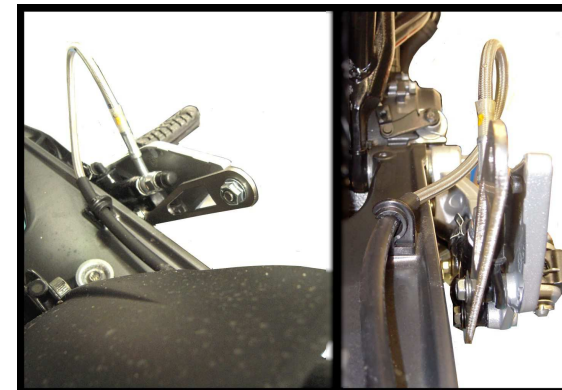
LINE FULL SYSTEM
MUFFLER GP

SCHEMATIC

ELENCO PARTI / PARTS LIST

| # | QTÀ / QTY | DESCRIZIONE / DESCRIPTION | CODICE / CODE |
|----|-----------|--|----------------|
| 1 | 1 | DB killer / DB killer | 50.DK.020.0 |
| 2 | 1 | Silenziatore / Muffler | GP |
| 3 | 1 | Protezione in gomma / Rubber protection | 50.73.077.1 |
| 4 | 1 | Staffa / Bracket | 50.SS.241.1 |
| 5 | 2 | Dado M6 autobloccante / M6 locknut | 50.73.112.1 |
| 6 | 4 | Rondella M6 / Washer M6 | 50.72.027.1 |
| 7 | 2 | Vite M6 x 12 / Screw M6 x 12 | 50.72.024.1 |
| 8 | 1 | Vite M8x70 / Screw M8x70 | 50.73.086.1 |
| 9 | 1 | Rondella in alluminio / Aluminium washer | 50.73.063.1 |
| 10 | 1 | Distanziale in alluminio / Aluminium spacer | 50.SS.150.1 |
| 11 | 1 | Staffa / Bracket | 50.SS.687.0 |
| 12 | 3 | Dado M8 flangiato / Flanged nut M8 | 50.73.393.1 |
| 13 | 1 | Tubo di raccordo / Link pipe | 9773KT009S7B |
| 14 | 1 | Silenziatore / Muffler | 9873KT009S2A |
| 15 | 1 | Tubo di raccordo / Link pipe | 9773KT009S7A |
| 16 | 1 | Distanziale alluminio / Aluminium spacer (Øe.20 Øi.8,5 h.14) | 50.SS.058.1 |
| 17 | 1 | Rondella in alluminio / Aluminium washer | 50.73.248.1 |
| 18 | 1 | Vite M8x40 / Screw M8x40 | 50.73.075.1 |
| 19 | 1 | Vite M8x16 / Screw M8x16 | 50.73.006.1 |
| 20 | 1 | Guarnizione in grafite / Graphite bush | 50.72.38.44.28 |
| 21 | 1 | Fascetta Ø 44/47 mm / Pipe clamp Ø 44/47 mm | 50.FA.006.1 |
| 22 | 1 | Molla lunga / Long spring | 50.71.080.1 |
| 23 | 1 | Tubo per molla / Rubber pipe for spring | 50.73.210.1 |

FISSAGGIO STAFFA 50.SS.687.0



APPLICAZIONI / APPLICATIONS

| CODICE / CODE | SILENZIATORE / MUFFLER | TUBO / PIPE | FASCETTA / CLAMP | NOTE |
|---------------|----------------------------|------------------|------------------|----------------------------------|
| KT.009.L2S | CARBONIO / CARBON FIBER | INOX / ST. STEEL | INOX / ST. STEEL | CATALYTIC CONVERTER NOT INCLUDED |
| KT.009.L6S | TITANIO / TITANIUM | INOX / ST. STEEL | INOX / ST. STEEL | CATALYTIC CONVERTER NOT INCLUDED |
| KT.009.LXB | ACCIAIO NERO / STEEL BLACK | INOX / ST. STEEL | INOX / ST. STEEL | CATALYTIC CONVERTER NOT INCLUDED |
| KT.009.K2S | CARBONIO / CARBON FIBER | INOX / ST. STEEL | INOX / ST. STEEL | CATALYTIC CONVERTER INCLUDED |
| KT.009.K6S | TITANIO / TITANIUM | INOX / ST. STEEL | INOX / ST. STEEL | CATALYTIC CONVERTER INCLUDED |
| KT.009.KXB | ACCIAIO NERO / STEEL BLACK | INOX / ST. STEEL | INOX / ST. STEEL | CATALYTIC CONVERTER INCLUDED |

Catalytic Converter
Cod. ACC.033.A1
Optional for KT.009.L2S - KT.009.L6S - KT.009.LXB
Included in KT.009.K2S - KT.009.K6S - KT.009.KXB

